

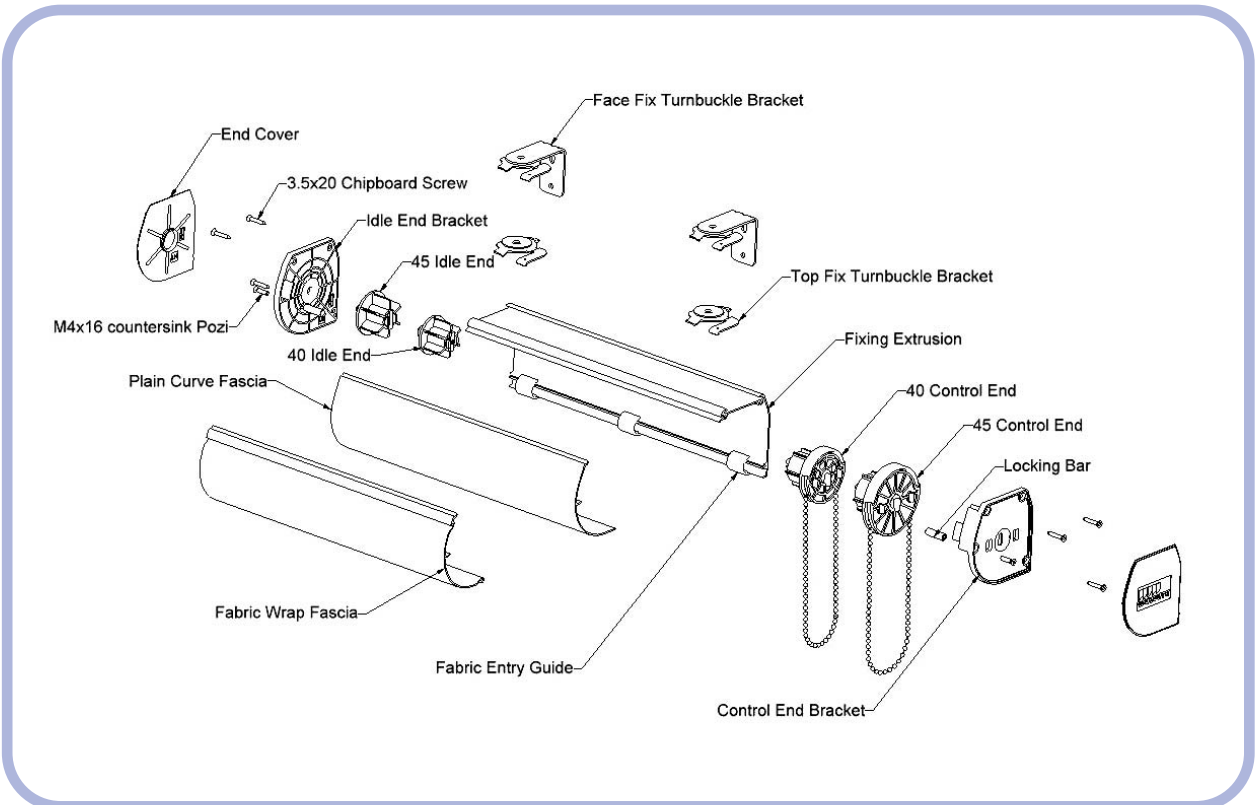
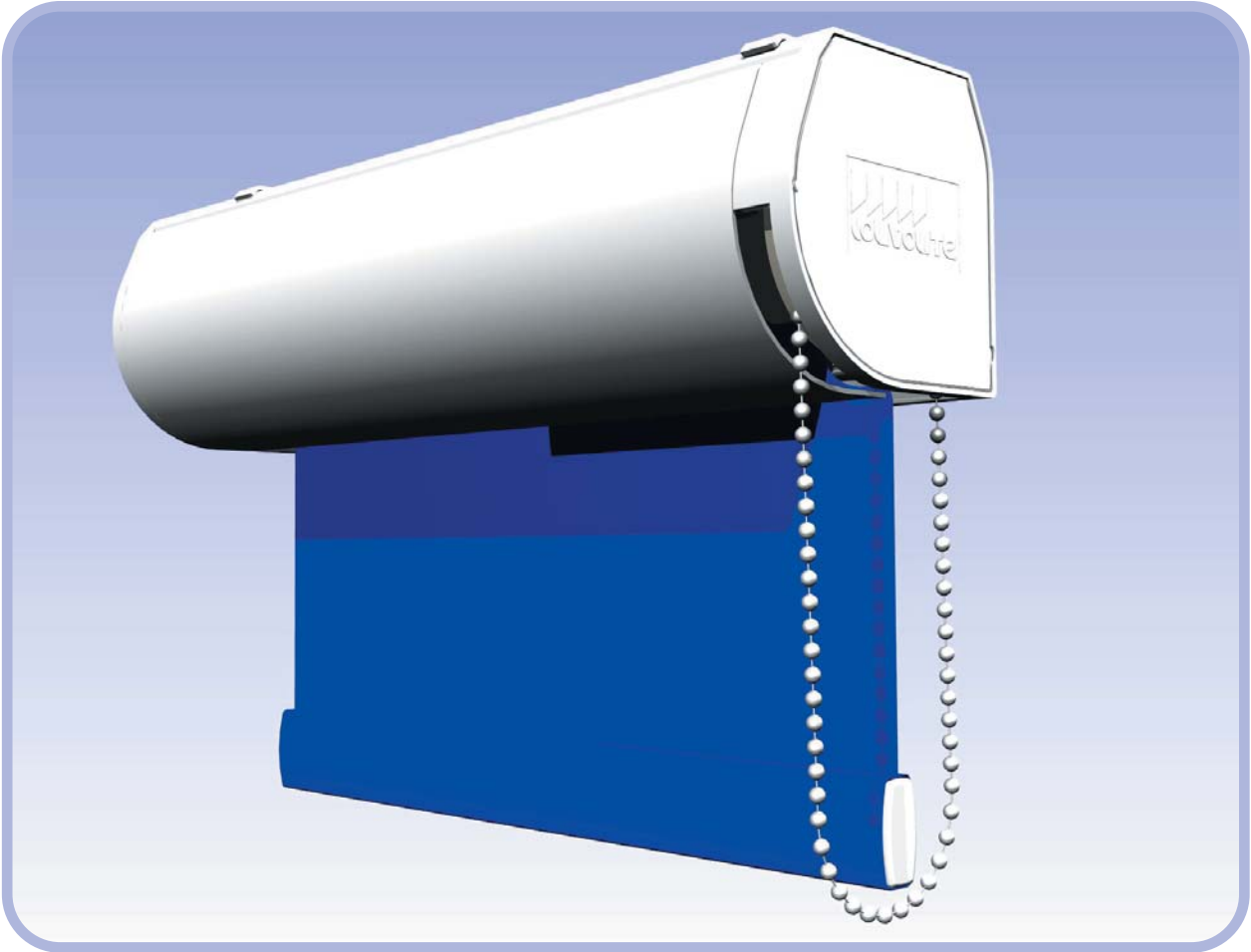


system 40™ cassette





system 45™ cassette

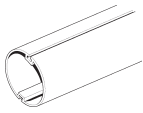
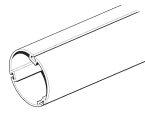
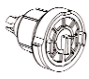

roller blind system


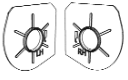


CI/SFB 1976 reference by SFB Agency		
(76.7)	X	






fixing extrusion	profile fascia	plain fascia	fabric entry guide
			
100% aluminium	100% aluminium	100% aluminium	acetyl
5m (5½ yard) lengths	5m (5½ yard) lengths	5m (5½ yard) lengths	dimensions 20mm (¾") x 15mm (⅝")
dimensions 80mm (3¼") x 95mm (3¾")	dimensions 100mm (3⅝") x 40mm (1⅝")	dimensions 100mm (3⅝") x 40mm (1⅝")	white
1.3mm (1/16") wall thickness	1.3mm (1/16") wall thickness	1.3mm (1/16") wall thickness	
white painted	white painted	white painted	

tube system 40™	tube system 45™	side control end	plunger end
			
100% aluminium	100% aluminium	sprocket/sprocket guard acetyl	nylon 6
5m (5½ yard) lengths	5m (5½ yard) lengths	other parts mineral filled nylon or nylon 6	white
40mm (1⅝") outside diameter	45mm (1¾") outside diameter	spring lock friction system	
1.05mm (9/64") wall thickness	1.05mm (9/64") wall thickness	unique bracket securing pin	
4mm (9/16") fabric locating slot/ strengthening fin	4mm (9/16") fabric locating slot/ strengthening fin	metal chain drive	

brackets	bracket covers	turnbuckle bracket face fix	turnbuckle bracket top fix
			
glass filled nylon	glass filled nylon	steel	steel
white	white	white	white

operating chain

nickel plated brass/stainless steel
dimensions 2.0mm (1/8") diameter
silver; nickel plated brass on gold