

SHADEX® EASILOAD SIDE LOCK INSTRUCTIONS

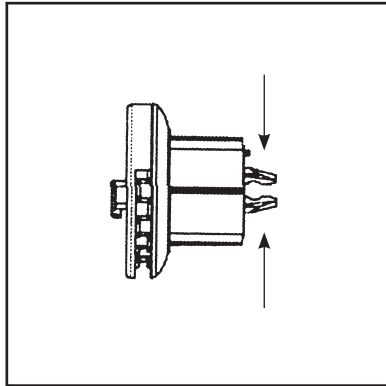


Please ensure your blind is rolled all the way up, removed from your brackets, then following below

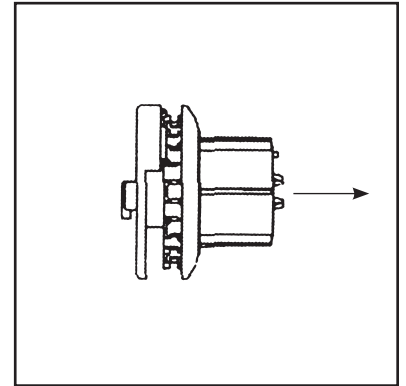
Pull Chain Mech out of blind

Remove the Locking plug (Black part) (only for 1½" - 1¾" - 1¾" Plus)

1 Push Pin Together.

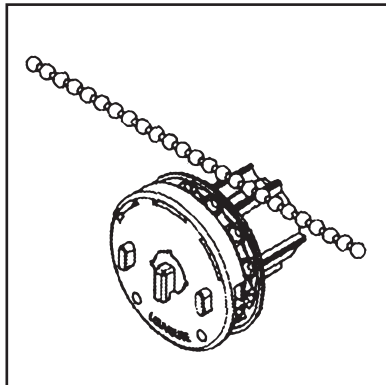


2 Pull Forward Bush Guard.

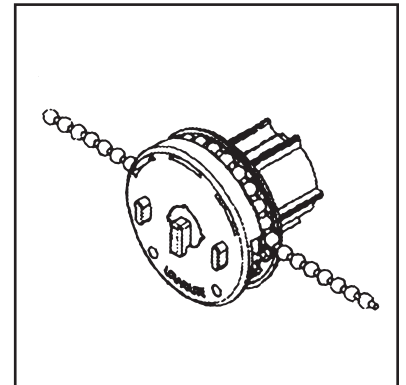


3 Remove old chain.

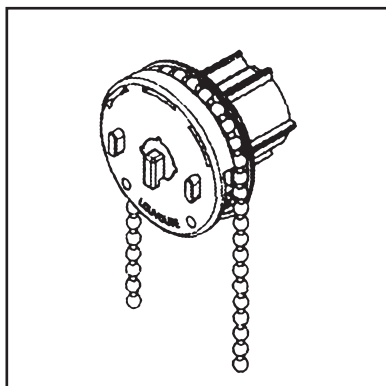
Place new chain over sprocket wheel.



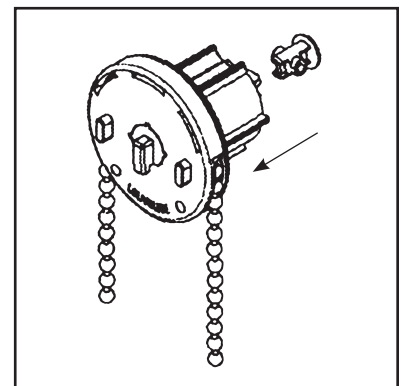
4 Ensure the chain connector is at the back side of the Chain Mech.



5 When Chain is fully located, close the bush guard.



6 Place the locking plug back in.
Insert Chain Mech back into blind.



111 Esna Park Drive, Unit #11
Markham, ON L3R 1H2
905-475-8235 Toll:800-668-8235
www.shadex.com

