

URTSI Universal RTS Interface

Part #1810872



Overview:

The URTSI is an integration device that allows third party systems to control Radio Technology Somfy® motorized applications. The URTSI can control up to 16 RTS channels individually and/or as a group through RS232, RS485 and IR. Multiple URTSIs can be cascaded to control up to 256 channels, using the RS485 expansion port. This ensures optimal coverage of the RTS signal. Its simple design allows you to quickly duplicate programming from existing RTS transmitters and easily locate it within the space without a need for line of sight to the motorized window coverings.



Features Summary:

- 16 channels of RTS control per URTSI
- Communicates with:
 - RS232
 - RS485
 - IR
- Using RS485
 - Control up to 16 URTSIs together for 256 channels in a system
 - Cascade up to 16 URTSIs with one wire
 - Power up to 16 URTSIs with one power supply in a system

Technical Specifications:

- Power Input: 9 V DC, 200mA-UL approved
- Power Consumption: 20 mA
- Material: ABS
- Dimensions: 3" L x 4" W x 1.75" H
- Maximum Range: 65 feet radius (under optimal conditions)
- Operating Temperature Range: Ambient temperature
- Shipping Weight: 1 lb.
- LED: Bi-color
- Frequency: 433.42 Mhz

What's in the Box:

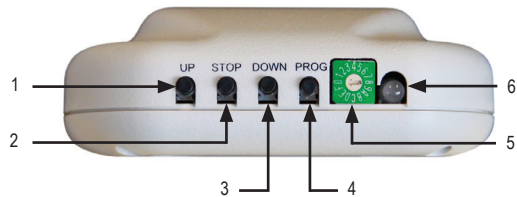
- URTSI
- Antenna
- Power Supply
- DB9 to RJ45 for RS232

Optional Accessories:

- IR Receiver #9015078
- IR Transmitter #1810498
- DB9 to RJ45 for RS232 #9015028
- DB9 to RJ45 for RS485 #9015029
- RS232 to RS485 Converter #1810496

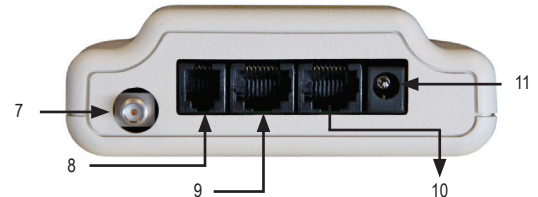
Connections and Indicators:

Front View



ELEMENT	FUNCTION
1 Up Button	RTS (Test) Up directional button
2 Stop Button	RTS (Test) Stop directional button
3 Down Button	RTS (Test) Down directional button
4 Programming Button	RTS Programming button
5 Rotary Dial	Programming: RTS Channel selector Operation: URTSI Address selector (RS485) (A=0 = CH 10-16)
6 Bi-Color LED	Green = Power; Red Flash = RTS Transmission

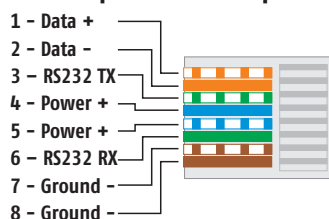
Back View



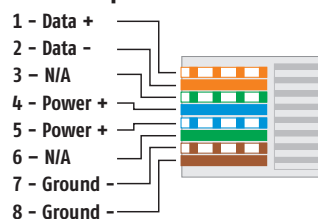
ELEMENT	FUNCTION
7 Antenna	RTS antenna
8 IR Sensor Input	RJ9 port for Somfy's IR Receiver (9015078)
9 RS232 or RS485 Input	RJ45 for RS232 or RS485 serial input
10 RS485 Expansion	RJ45 for RS485 expansion
11 Power	3.5mm jack for included power supply (9V DC 200mA)

Cable Pinouts:

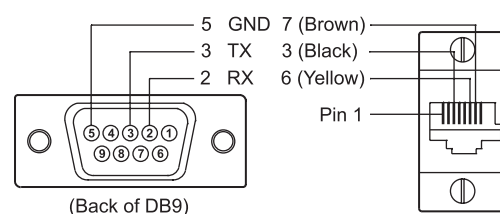
RS232 input or RS485 input



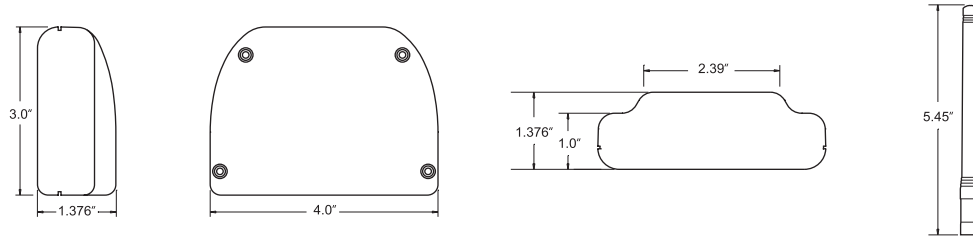
RS485 expansion



RJ45 to DB9 RS232



Dimensions:



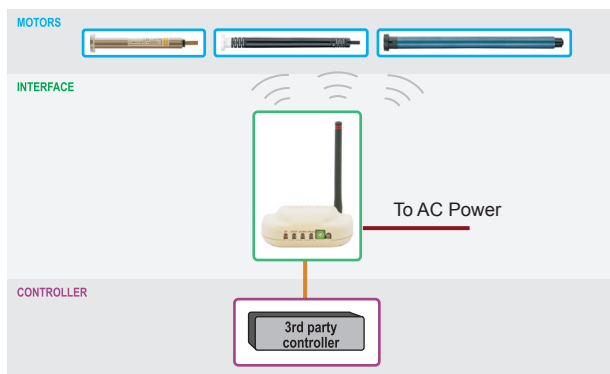
Wiring Best Practice:

Somfy recommends placing the URTSI in a central location and that each channel is tested to ensure proper communication between the URTSI and motorized window covering prior to integration.

Somfy recommends using specified adapters and cables. Making your own cable is not recommended.

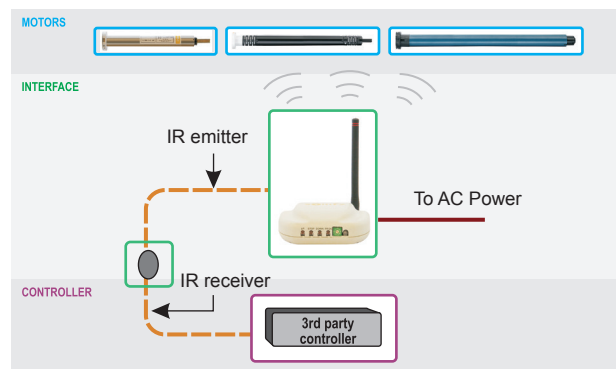
RS232

- Somfy recommends using a DB9 to RJ45 adapter.
- Set the rotary dial arrow back to 1, this will ensure proper commands to be sent to the unit.



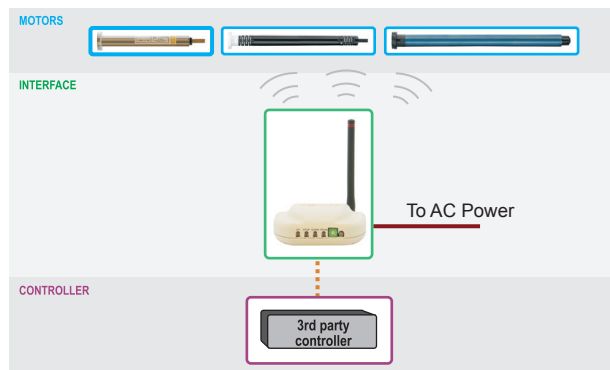
IR

- When connecting to the URTSI using IR please use the Somfy branded IR Receiver (9015078) and attach an IR emitter from the control system.
- The learnable codes come from the Somfy multichannel IR transmitter.
- Making your own cable and trying to hardwire into the URTSI is NOT recommended.



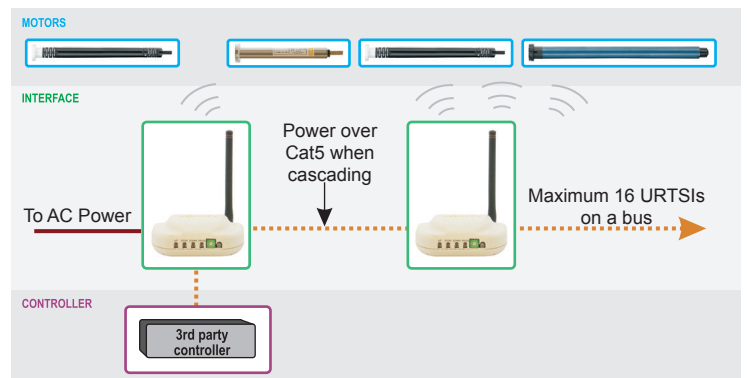
RS485 Single

- Somfy recommends using a DB9 to RJ45 adapter.
- DO NOT USE the DB9 to RJ45 adapter that was included in the box (it is pinned out for RS232).
- Set the rotary dial arrow back to 1, this will ensure proper commands to be sent to the unit.



RS485 Multiple

- Somfy recommends using a DB9 to RJ45 adapter.
- DO NOT USE the DB9 to RJ45 adapter that was included in the box (it is pinned out for RS232).
- Set the rotary dial to the appropriate address.
- You can cascade a total of 16 URTSIs on 1 bus line for a total of 256 available RTS channels. When cascading URTSIs together on a bus line, you only need to power one of the units.



Component Types

Motor	<input type="checkbox"/>
Bus Distribution	<input type="checkbox"/>
User Interface	<input type="checkbox"/>

Wiring Connection Types

Wireless	
RTS	<input type="checkbox"/>
WiFi	<input type="checkbox"/>
Z-Wave®	<input type="checkbox"/>
ZigBee®	<input type="checkbox"/>

Third Party	
RS232 - 50' max	<input type="checkbox"/>
RS485 - 4K' max	<input type="checkbox"/>
IR	<input type="checkbox"/>
Ethernet	<input type="checkbox"/>

Power	
110V AC	<input type="checkbox"/>
24V DC	<input type="checkbox"/>
12V DC	<input type="checkbox"/>
9V DC	<input type="checkbox"/>
5V DC	<input type="checkbox"/>