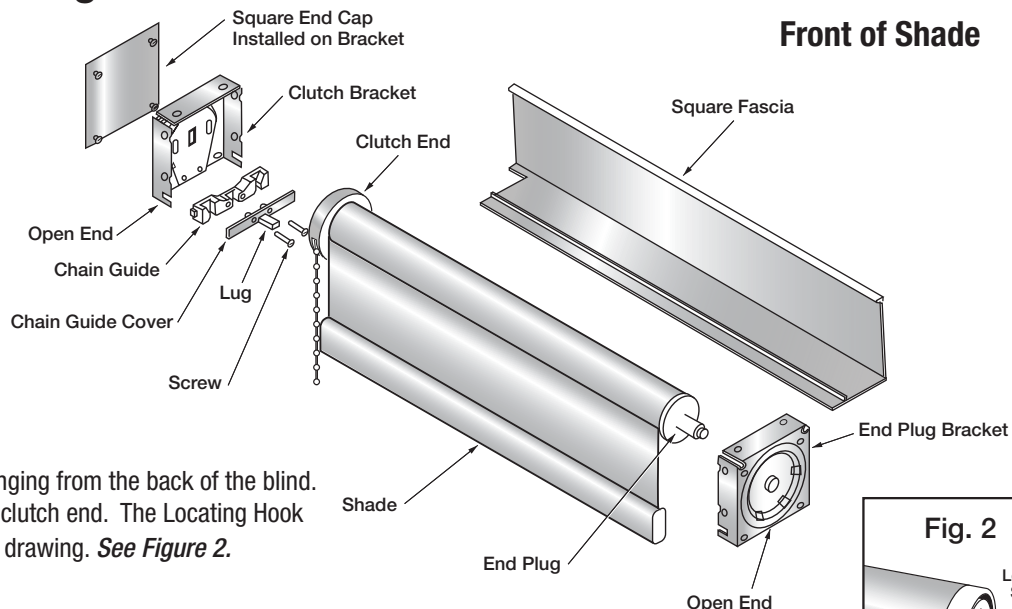


FASCIA INSTALLATION GUIDE

Install Brackets First

1. The Brackets are mounted to the window with at least 2 screws per bracket. The open end of the bracket should be facing downward. Ensure the location of clutch/idle end when installing. *See Schematic of all components in Figure 1. ILLUSTRATION SHOWS RIGHT CONTROL.*
2. Brackets should be level.

Fig. 1



Install Shade

1. Do Not Unroll Shade.
2. Hold the shade with the fabric hanging from the back of the blind.
3. Install end plug first and then the clutch end. The Locating Hook Must be pointing downwards as per drawing. *See Figure 2.*

Chain Guide

1. Place chain guide in place.
2. Chain should be placed on either end of the chain guide. Place chain guide cover in place and install the 2 screws supplied. Lug should be facing downward. *See Figure 3.*
3. The only time one of the chains are placed in the middle are for side channels only.
4. Chain Dividers are not required for Motorized Shades.

Install The Fascia

1. Make sure the lug of the chain guide cover locks into the interior bead edge of fascia.
2. Place fascia on a slight angle to the top of bracket. The lip of fascia will rest on top of the slots of brackets.
3. Press front of fascia until you hear the fascia snap into the left and right of fascia brackets. *See Figure 4.*

Square End Caps

1. These are to be used when shade is installed on the outside of frame. This will cover the brackets for a more finished look.
2. The caps have four pegs which are snapped into the 4 holes in the bracket.
3. Install the caps with the arrow pointing upward. You will find arrow on the inside of plastic end cap. *See figure 5.*

Child Safety

Shadex is in compliance with the Consumer Product Safety Commission guidelines that have been enacted to reduce the risk of strangulation from window covering cords. Although it is important to be in compliance, no window covering product is completely child safe. It is imperative that window covering retailers discuss this hazard with all purchasers and make every effort to keep children away from cords. Every blind with cord controls is sent with a CSA compliant approved child safety hold down attached. If the customer removes this, they do so at their own risk.

